



Model: \_\_\_\_\_ Item #: \_\_\_\_\_ Date: \_\_\_\_\_

Project: \_\_\_\_\_ Qty: \_\_\_\_\_ Approved By: \_\_\_\_\_

# Royal Series One Compartment Bar Sinks

# Royal Series Underbar



**KR19-31C**

## Specifications

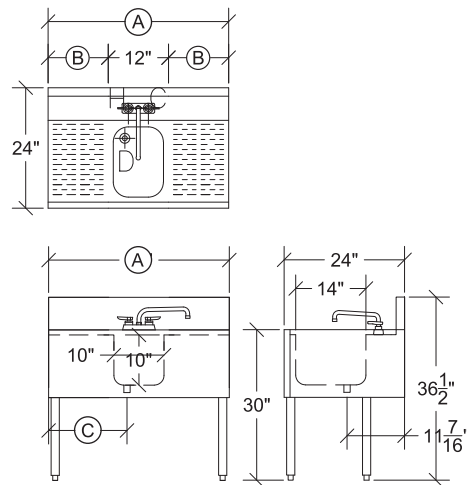
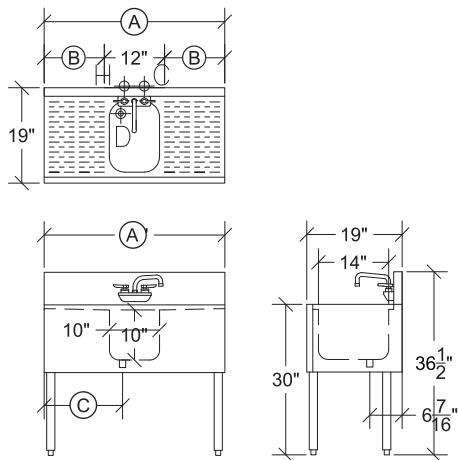
- Sink Bowl**
  - 20 gauge stainless steel 10" x 14" x 10" deep
  - Furnished with 1-1/2" IPS rear corner drain and 7-1/2" overflow pipe
- Drainboard**
  - 20 gauge stainless steel reinforced with welded braces every 6"
- Front Apron**
  - 20 gauge stainless steel clad over 20 gauge galvanized steel
- Sides**
  - 20 gauge stainless steel
- Backsplash**
  - 20 gauge stainless steel
- Back & Bottom**
  - 20 gauge galvanized steel
- Legs**
  - 1-5/8" tubular 16 gauge stainless steel with grey plastic bullet foot
- Plumbing**
  - Hot/Cold Water: 1/2" IPS
  - Drain: 1-1/2" IPS
- Faucets**
  - KR19-1C, KR19-31C, KR24-1C include Royal Series 4" Center Wall Mount Faucet
  - KR24-31C include Royal Series 4" Center Deck Mount Faucet
  - KR19-1C-E, KR24-1C-E include 4" Center Wall Mount Electronic Sensor Faucet

## Standard Features

- Royal Series faucets & drains w/ overflows included
- Models ending '-E' include electronic sensor faucets
- 1-1/2" left rear corner drains (Model 23-122)

| Model            | Depth (Front to Back) | Length (A) | Drainboard Size |     | Left Side to Drain (C) | Bowls | Bowl Location | Wgt. (lbs.) |
|------------------|-----------------------|------------|-----------------|-----|------------------------|-------|---------------|-------------|
|                  |                       |            | (B)             | (B) |                        |       |               |             |
| <b>KR19-1C</b>   | 19"                   | 12"        | -               | 6"  | 6"                     | 1     | Center        | 40          |
| <b>KR19-1C-E</b> | 19"                   | 12"        | -               | 6"  | 6"                     | 1     | Center        | 40          |
| <b>KR19-31C</b>  | 19"                   | 36"        | (2) 12"         | 16" | 16"                    | 1     | Center        | 48          |

| Model            | Depth (Front to Back) | Length (A) | Drainboard Size |     | Left Side to Drain (C) | Bowls | Bowl Location | Wgt. (lbs.) |
|------------------|-----------------------|------------|-----------------|-----|------------------------|-------|---------------|-------------|
|                  |                       |            | (B)             | (B) |                        |       |               |             |
| <b>KR24-1C</b>   | 24"                   | 12"        | -               | 6"  | 6"                     | 1     | Center        | 45          |
| <b>KR24-1C-E</b> | 24"                   | 12"        | -               | 6"  | 6"                     | 1     | Center        | 45          |
| <b>KR24-31C</b>  | 24"                   | 36"        | (2) 12"         | 16" | 16"                    | 1     | Center        | 53          |



**NOTE:** Letter at end of Model Number represents Bowl Location

**WARNING:** Plumbing connections should be made by qualified personnel who will observe all applicable plumbing, sanitary and safety codes.

