



Model: _____ Item #: _____ Date: _____

Project: _____ Qty: _____ Approved By: _____

60" - 72" Standard Workstations

Royal Series Underbar



KR24-W66A-10 shown

Standard Features

- All stations are 24" depth front-to-back
- Built-in 10 circuit cold plate
- 12" deep ice bin
- 12" or 18" blender dump sink with Royal Series faucet
- Sound deadened single speed rail
- Removable bottle wells
- Side splash between ice bin and dump sink



Specifications

| | |
|-----------------------------------|--|
| Materials | <ul style="list-style-type: none"> ▪ Interior (Ice Bin): 20 gauge stainless steel. 12" deep ice bin section. 10" deep bottle section ▪ Blender Shelf: 22 gauge stainless steel ▪ Dump Sink (Blender): 20 gauge stainless steel ▪ Drainboard: 20 gauge stainless steel ▪ Front Apron: 20 gauge stainless steel clad over 20 gauge galvanized steel ▪ Backsplash: 20 gauge stainless steel ▪ Back & Bottom: 20 gauge galvanized steel |
| Drains & Plumbing | <ul style="list-style-type: none"> ▪ Hot & Cold Water: 1/2" IPS ▪ Ice Bin with Cold Plate: 1/2" IPS Drain connection. 4" PVC tailpiece provided. PVC tailpiece required to avoid condensation through metal to metal contact. ▪ Ice Bin with No Cold Plate: 1" IPS Drain connection ▪ Drainboard: 1" IPS drain connection ▪ Dump Sink: 1-1/2" IPS drain connection |
| Cold Plate | <ul style="list-style-type: none"> ▪ Cast aluminum post mix plate with 10 circuits. Plate is sealed into bottom. Each circuit is 5/16" OD stainless steel tubing. Two full with remainder to be half circuits. Bump and swedge fittings on ends. |
| Tubing Access (Cold Plate) | <ul style="list-style-type: none"> ▪ 3/4" x 3-1/2" cutout in left side of backsplash |
| Bowl Size (Dump Sink) | <ul style="list-style-type: none"> ▪ 12"W Dump Sink bowl size: 10" x 12" x 7", 18"W Dump Sink bowl size: 14" x 10" x 7" |
| Electrical (Blender) | <ul style="list-style-type: none"> ▪ Duplex outlet located underneath blender shelf |
| Insulation (Ice Bin) | <ul style="list-style-type: none"> ▪ Foamed-in-place polyurethane |
| Faucet | <ul style="list-style-type: none"> ▪ 4" Center wall or deck mount faucet with 1/4 turn ceramic cartridge valves |
| Backsplash | <ul style="list-style-type: none"> ▪ 6-1/2"H x 1-1/2"D |
| Side Splash | <ul style="list-style-type: none"> ▪ Included when Ice Bin is adjacent to Blender Dump Sink |
| Legs | <ul style="list-style-type: none"> ▪ 1-5/8" tubular 16 gauge stainless steel legs with grey plastic bullet foot |

Optional Accessories

| Model | Description | Model | Description |
|-----------|-----------------------------------|---------|--|
| KR-101 | Condiment Tray | SC"XX"H | Partial Sliding Cover for Ice Bin ("XX" denotes size of Ice Bin) |
| KR-103 | Stainless Steel Divider | SC"XX"F | Full Sliding Cover for Ice Bin ("XX" denotes size of Ice Bin) |
| KR-313 | Left and Right Side Splash | KR-501 | Towel Ring |
| KR-314 | Right End Splash | 30-160 | Perforated Dump Basket |
| KR-315 | Left End Splash | KR-806 | Upgrade: 6" Longer Stainless Steel Legs |
| KR-PE"XX" | Drop-in Perforated Drainboard Top | | |



Model: _____ Item #: _____ Date: _____

Project: _____ Qty: _____ Approved By: _____

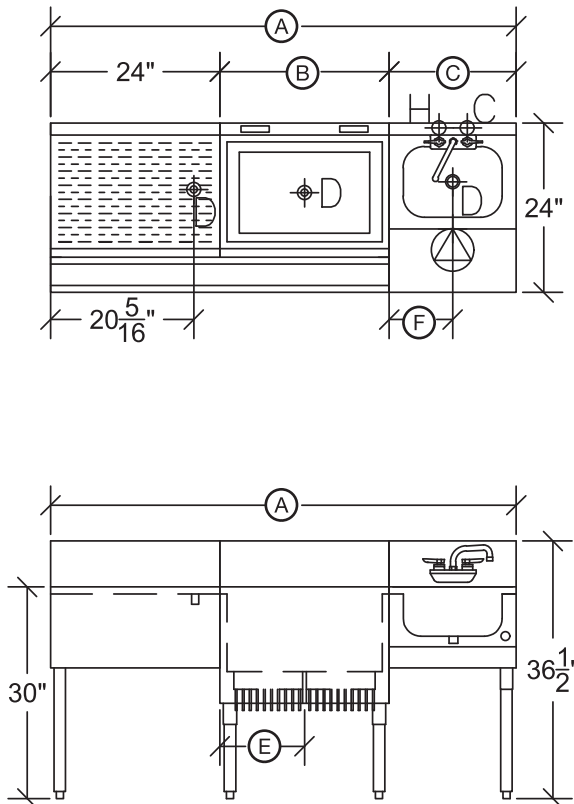
60" - 72" Standard Workstations

Royal Series Underbar

| Model | Overall Length (A) | Ice Bin Length (B) | Blender Dump Sink Length (C) | Drainboard Length (D) | Ice Bin Drain (E) | Blender Drain Location (F) | Drainboard Style | Ice Capacity (lbs.) | Cold Plate Circuits | Weight (lbs.) |
|--------------|--------------------|--------------------|------------------------------|-----------------------|-------------------|----------------------------|------------------|---------------------|---------------------|---------------|
| KR24-W60A-10 | 60" | 24" | 12" | 24" | 12" | 6" | Standard | 74 lbs. | 10 circuit | 220 lbs. |
| KR24-W66A-10 | 66" | 24" | 18" | 24" | 12" | 9" | Standard | 74 lbs. | 10 circuit | 250 lbs. |
| KR24-W72A-10 | 72" | 30" | 18" | 24" | 15" | 9" | Standard | 92 lbs. | 10 circuit | 280 lbs. |
| KR24-W60B-10 | 60" | 36" | 12" | 12" | 18" | 6" | Recessed | 110 lbs. | 10 circuit | 220 lbs. |
| KR24-W66B-10 | 66" | 36" | 12" | 18" | 18" | 6" | Recessed | 110 lbs. | 10 circuit | 250 lbs. |
| KR24-W72B-10 | 72" | 36" | 18" | 18" | 18" | 9" | Recessed | 110 lbs. | 10 circuit | 280 lbs. |

Mechanical Requirements: 1/2" IPS hot and cold water. 1" IPS drain connection without Cold Plate. 1/2" IPS drain connection with Cold Plate. 1-1/2" IPS drain connection on Dump Sink.

Standard Drainboard Workstation



Recessed Drainboard Workstation

