



# KM-1601MRJZ(3)

## MODULAR CRESCENT CUBER



KM-1601MRJZ(3)  
07/02/24  
Item # 13657

W x D x H  
30" x 27<sup>3/8</sup>" x 41<sup>5/8</sup>"

### KMEDGE™

**KM-1601MRJZ**  
Remote Air-Cooled 1 Phase  
Shown on optional bin: B-900

**KM-1601MRJZ3**  
Remote Air-Cooled 3 Phase



Item #: \_\_\_\_\_  
Project: \_\_\_\_\_  
Qty: \_\_\_\_\_  
AIA#: \_\_\_\_\_

## Features

- ▶ Individual crescent cube
- ▶ Stainless steel evaporator
- ▶ CycleSaver™ design

- Up to 1653 lbs. of ice production per 24 hours
- Durable stainless steel exterior
- EverCheck™ alert system
- R-404A Refrigerant

### Available on Bins:

**B-500SF**    **B-800SF**    **B-1150SS**    **B-1500SS\***  
**B-700SF**    **B-900SF**    **B-1300SS**    **B-1650SS\***

Top kit may be required. See Bin Spec Sheets. \*Two unit application only.

### Warranty:

3 Year Parts & Labor on entire machine. 5 Year Parts & Labor on Evaporator. 5 Year Parts on Compressor; air-cooled condenser coil. Valid in United States, Canada, Puerto Rico and U.S. Territories. Contact factory for warranty in other countries.

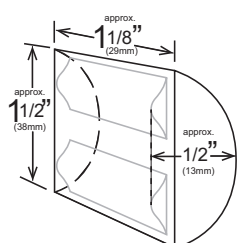
Shipping: (LxWxH) 51.75" x 33" X 48"    Volume: 47.44ft<sup>3</sup>

| Condenser      | Model        | ICE PRODUCTION  |   | WATER USAGE                                 |                                       | ELECTRICAL                         |          |         |  |                              |                              |                                   |           |
|----------------|--------------|---|---|---|---------------------------------------|------------------------------------|----------|---------|--|------------------------------|------------------------------|-----------------------------------|-----------|
|                |              | Air / Water Temp<br>Lbs. per 24 hours<br>70°/ 50°F    90°/ 70°F | Potable<br>Gal. per 100 lbs.<br>90°/ 70°F | Condenser<br>Gal. per 100 lbs.<br>90°/ 70°F | kWh Used<br>per 100 lbs.<br>90°/ 70°F | Min. Circuit/<br>Max. Fuse<br>Size | Amperage | Voltage | Circuit<br>Wires<br>(including ground) | Heat<br>Rejection<br>BTU/hr. | Refrigerant<br>Charge Amount | Net / Ship<br>Weight (lbs.)       |           |
| 1 Phase Remote | KM-1601MRJZ  | 1594  | 1550                                      | 18.0  | N/A                                   | 4.35                               | 20A      | 15.9A   | 208-230V/60/1                          | 4*                           | 24,300                       | 8 lbs. 2.5 oz.<br>15 lbs. 14 oz.† | 259 / 316 |
| 3 Phase Remote | KM-1601MRJZ3 | 1653  | 1550                                      | 18.0  | N/A                                   | 4.09                               | 20A      | 12.9A   | 208-230V/60/3                          | 4                            | 23,300                       | 8 lbs. 2.5 oz.<br>15 lbs. 14 oz.† | 259 / 316 |

\*If neutral is not available, transformer kit (HS-5030) is required. Refer to Instruction Manual for installation and electrical requirements.

†(with condenser)

## KMEdge™ Cube Dimensions\*



\* approximate size in inches, image not to scale

## Operating Limits

- Ambient Temp Range 45 - 100°F
- Water Temp Range 45 - 90°F
- Water Pressure 10 - 113 PSIG
- Voltage Range 187 - 253V
- If GFCI is required, a GFCI breaker MUST be used in lieu of GFCI receptacle

## Service

- Panels easily removed and all components accessible for service.
- Allow 6" (15 cm) clearance at rear, sides, and top for proper air circulation and ease of maintenance/service.

## Plumbing

- Icemaker Water Supply Line: Minimum 3/8" Nominal ID Copper Water Tubing or Equivalent
- Icemaker Drain Line: Minimum 3/4" Nominal ID Hard Pipe or Equivalent

## Water Filter

Please refer to water filter spec sheet for recommended configurations.

Line sets for Z models require brazing. Z model head must match Z model remote condenser.

Hoshizaki reserves the right to change specifications without notice.

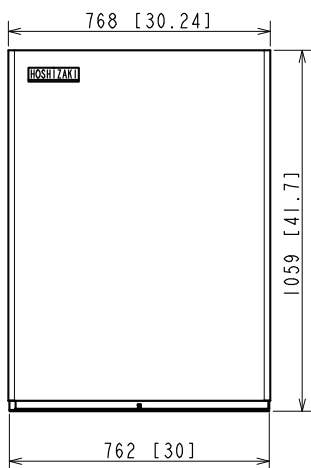


# KM-1601MRJZ(3)

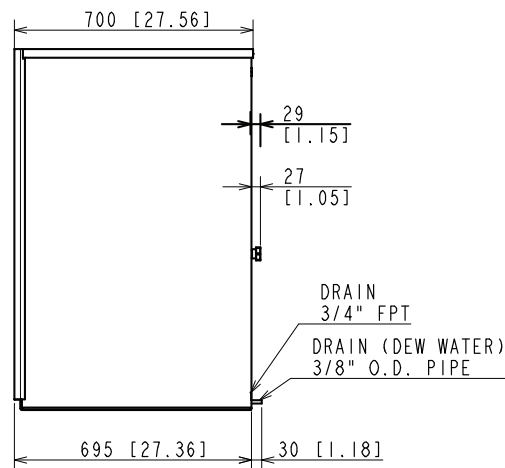
## MODULAR CRESCENT CUBER

KM-1601MRJZ(3)  
07/02/24  
Item # 13657

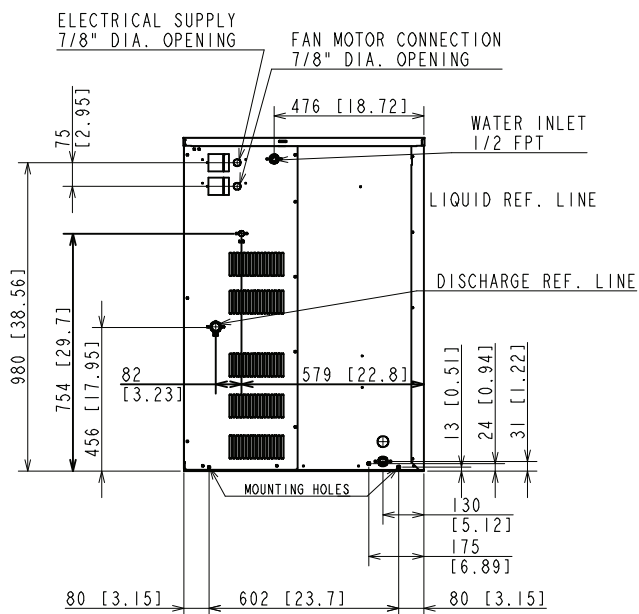
FRONT VIEW



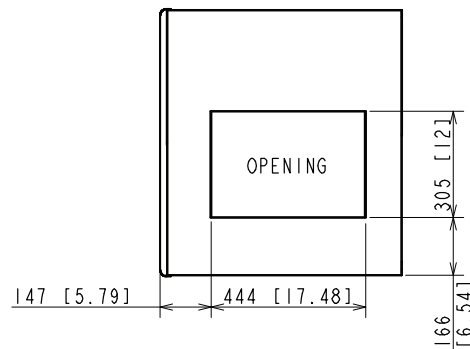
SIDE VIEW



REAR VIEW

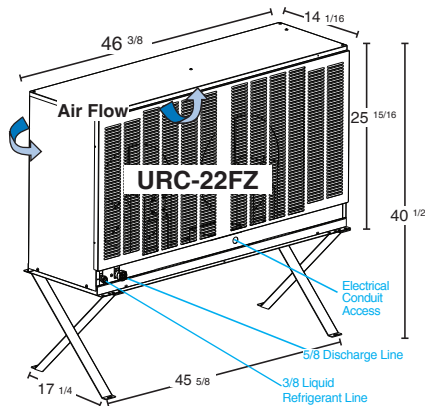


BOTTOM VIEW



### URC-22FZ Remote Condenser (Sold Separately)

(W x D x H) 46<sup>3/8</sup> X 14<sup>1/16</sup> X 40<sup>1/2</sup>  
For Use with KM-1601MRJZ(3)



**Brazed Line Sets**  
(Sold Separately)  
25' HS-5323  
35' HS-5324  
55' HS-5325



Voltage supply for the URC Remote Condenser is supplied from the Ice Maker. No additional circuit is required.