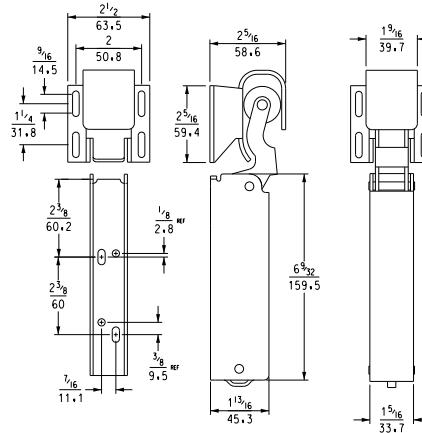


**ITEM # 1094
CONCEALED
MOUNTING**



® U.S. Trademark 3,212,100

CONCEALED FLUSH



**1094 SURECLOSE™
HYDRAULIC DOOR
CLOSER**

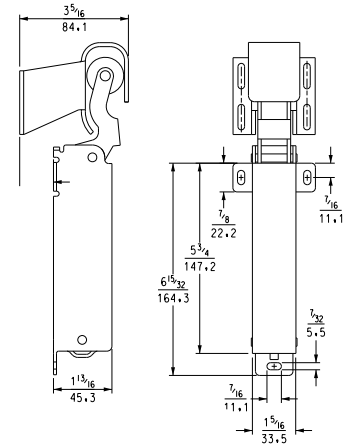
- Powerful gas-loaded hydraulic cylinder guarantees controlled closure.
- Exposed and concealed mounting models
- Solid steel enclosed housing and bend-resistant hook assure long wear in heavy use.
- Extra-wide hook ensures roller pick-up and overcomes alignment problems.
- Life-cycle tested to operate reliably even after a half-million closures.
- Kason walk-in hinges and latches where self-closing doors with controlled closure are needed.
- Mounting slots on hook allow for easy adjustment to compensate for door sag, keeping roller aligned with hook for proper function.

**ITEM # 1094
EXPOSED
MOUNTING**



® U.S. Trademark 3,212,100

EXPOSED OFFSET



**1094S DUAL-SPEED
CLOSER**

All the features of the 1094 SureClose, with the additional benefit of a specially developed snubbing mechanism. Initial fast closing action allows unit to withstand slamming force, while secondary, slower action provides gradual closing to lessen final impact.

Hook sold separately.

SPECIFICATIONS

MATERIAL:
Heavy gauge steel.
Housing and hook
also available in
stainless steel

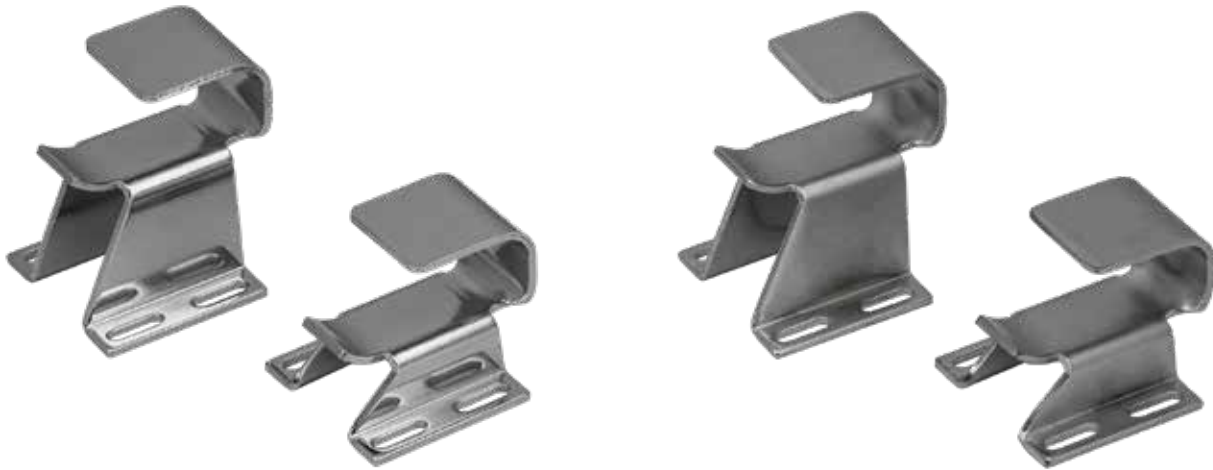
MOUNTING:
Holes drilled for
No. 10 (5.0 mm)
screws (included)

FINISH:
Polished or
brushed chrome,
stainless steel, or
powder coat

PACKAGING:
Closers and
hooks packaged
separately; 24 to
a carton

WEIGHT:
See order
information

Model No.	Item	Finish	Wgt/Carton
11094000002	Closer, Exposed Mounting	Brushed Chrome	35 lb. (15.6kg)
11094000003	Closer, Exposed Mounting	Polished Chrome	35 lb. (15.6kg)
11094000012	Closer, Concealed Mounting	Brushed Chrome	35 lb. (15.6kg)
11094000013	Closer, Concealed Mounting	Polished Chrome	35 lb. (15.6kg)
11094500003	Dual Closer, Exposed Mounting	Polished Chrome	35 lb. (15.6kg)
11094500012	Dual Closer, Concealed Mounting	Brushed Chrome	35 lb. (15.6kg)
11094S00013	Dual Closer, Concealed Mounting	Polished Chrome	35 lb. (15.6kg)
11094000093	Stainless Steel Closer, Concealed Mounting	Satin	35 lb. (15.6kg)
11094000026	Adjustable Wide-Hook, Flush to 3/4" (0.0-19.1 mm) Offset	Polished Chrome	10 lb. (4.5 kg)
11094000027	Adjustable Wide-Hook, 7/8"-1-5/8" (22.2-41.3 mm) Offset	Polished Chrome	13 lb. (5.9kg)
11094000026D	Adjustable Wide-Hook, Flush to 3/4" (0.0-19.1 mm) Offset	Brushed Chrome	10 lb. (4.5 kg)
11094000027D	Adjustable Wide-Hook, 7/8"-1-5/8" (22.2-41.3 mm) Offset	Brushed Chrome	13 lb. (5.9kg)
11094000926	Adjustable Stainless Steel Wide-Hook, Flush to 3/4" (0.0-19.1 mm) Offset	Satin	10 lb. (4.5 kg)
11094000927	Adjustable Stainless Steel Wide-Hook, 7/8"-1-5/8" (22.2-41.3 mm) Offset	Satin	13 lb. (5.9kg)



ITEM # 1094

1094 WIDE HOOK

- Wider hook
- Slotted mounting holes
- Compensates for door sag on doors without adjustable hinges
- Ease of alignment during installation and improved vertical adjustment

SPECIFICATIONS

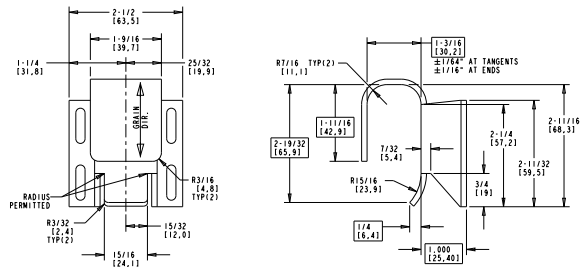
MATERIAL:
12 gage CRS (ASTM A1008)
chrome plated; 12 gage 300 series
stainless steel, satin finish

MOUNTING:
#10 screws

PACKAGING:
24 per carton

Model No.	Item	Finish	Wgt/Carton
11094000026	Adjustable Wide-Hook, Flush to 3/4" (0.0-19.1 mm) Offset	Polished Chrome	10 lb. (4.5 kg)
11094000026D	Adjustable Wide-Hook, Flush to 3/4" (0.0-19.1 mm) Offset	Brushed Chrome	10 lb. (4.5 kg)
11094000027	Adjustable Wide-Hook, 7/8"-1-5/8" (22.2-41.3 mm) Offset	Polished Chrome	13 lb. (5.9kg)
11094000027D	Adjustable Wide-Hook, 7/8"-1-5/8" (22.2-41.3 mm) Offset	Brushed Chrome	13 lb. (5.9kg)
11094000926	Adjustable Stainless Steel Wide-Hook, Flush to 3/4" (0.0-19.1 mm) Offset	Satin	10 lb. (4.5 kg)
11094000927	Adjustable Stainless Steel Wide-Hook, 7/8"-1-5/8" (22.2-41.3 mm) Offset	Satin	13 lb. (5.9kg)

Flush to 3/4" (0.0-19.1 mm) offset



7/8" to 1-5/8" (22.2-41.3 mm) offset

